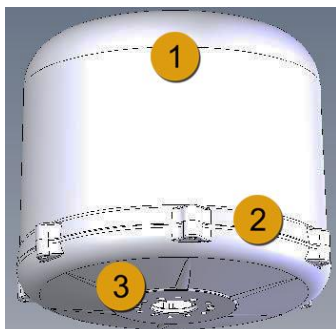


# QUICK START GUIDE

## Thuraya ATLAS IP+ Satellite Terminals

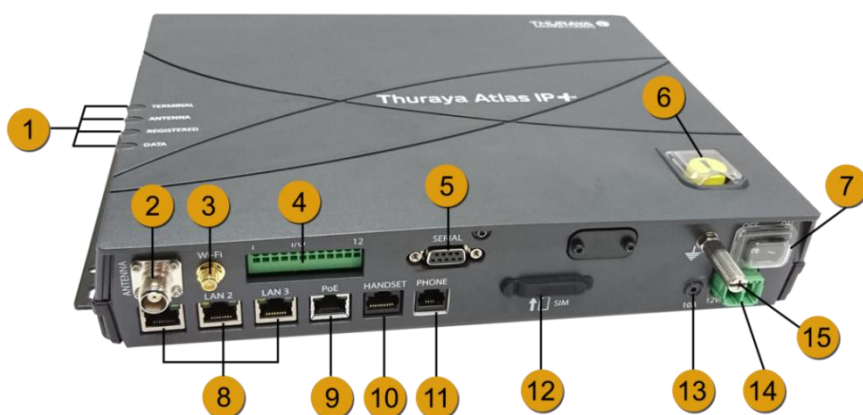
Atlas IP+ terminal provide an additional phone port on the Below Deck Unit in carrying out VoIP phone call and data connection simultaneously.

### Antenna Unit



1	Radome Top
2	Radome Bottom
3	Antenna Connector (N-Type)

### Modem Unit-Connectivity Ports and Buttons

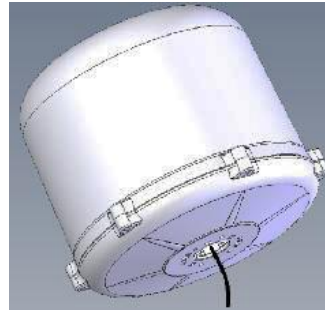
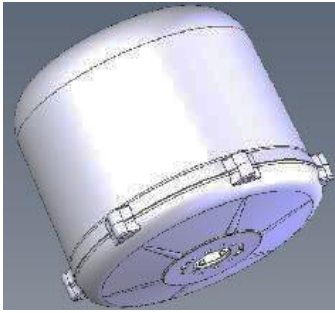


1	Status Indicators
2	Antenna Connector (TNC)
3	Wi-Fi Antenna Connector (SMA)
4	I/O Port
5	RS-232 Serial Port
6	Alert Button
7	ON/OFF Power Switch

8	LAN Ports 1, 2, 3 (RJ45)
9	PoE Port (RJ45)
10	Atlas IP Handset Port
11	Phone Port (RJ11) – VoIP service
12	SIM Card Slot
13	Circuit Breaker Reset
14	DC Input
15	Grounding Stud

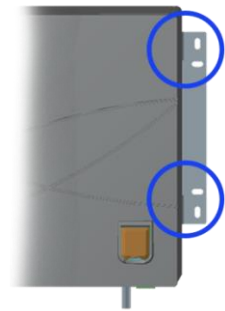
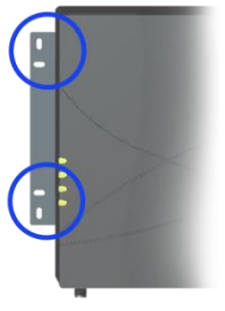
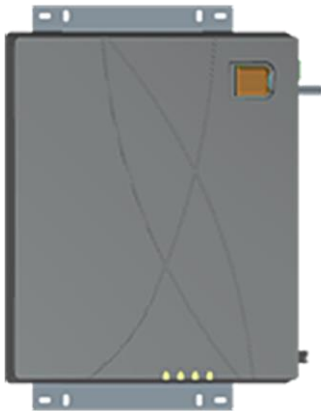
# QUICK START GUIDE

## Above Deck Unit (ADU) Installation



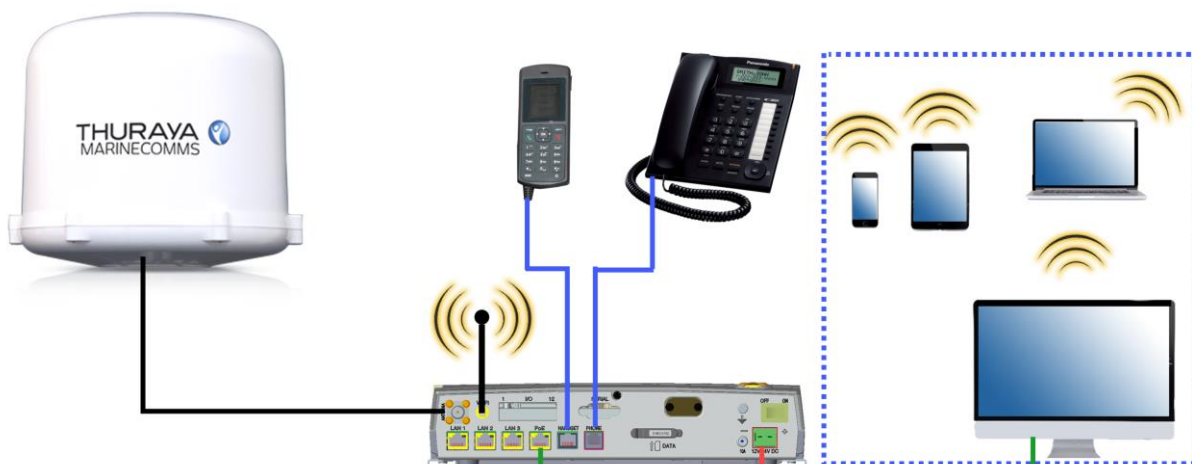
1. Connect the antenna cable to ADU properly without kinking it. Ensure that there is a rubber gasket between ADU's base and the mounting surface of the pole mount or mast.
2. Secure ADU to the pole mount or the mast by using M6 x 25mm screws and the flat washers.

## Below Deck Unit (BDU) Installation



1. Place BDU onto the desired installation area.
2. Secure the left mounting bracket using two M5 x 12mm Self-Tapping screws.
3. Secure the right mounting bracket using two M5 x 12mm Self-Tapping screws.
4. On the BDU's front panel, connect and secure the DC power cable, the antenna cable and the Atlas IP handset cable.

## Terminal Simplified Block Diagram



# QUICK START GUIDE

## A. Getting Started

1. Connect the cables and accessories as shown on the Terminal Simplified Block Diagram on page 2.
2. Insert a Thuraya SIM card, with the gold printed circuit facing down and switch on the terminal.
3. User can access the web console when the Terminal LED turns blinking green while Antenna and Registered LEDs turn green.

System is ready for normal operation at the default DATA mode.

## B. Select DATA or VOICE Mode

1. On the Web Console, select **Settings > Admin > System Operation Mode**, there are 2 modes of "Data" and "Voice".
2. Select DATA mode for browsing internet, emailing and \*\*calling using the VoIP services.
3. Select VOICE mode for initiating a voice call using the Atlas IP Handset.

**Note:** When switching between DATA and VOICE mode, it will take about 2 to 3 minutes to take effect.




## C. BDU LEDs States

<b>Terminal:</b> <ul style="list-style-type: none"> <li>• Blinking <b>Green</b></li> <li>• Steady <b>Red</b></li> </ul>	BDU is functioning. During BDU power up or detect failure.
<b>Antenna:</b> <ul style="list-style-type: none"> <li>• Steady <b>Green</b></li> <li>• Steady <b>Red</b></li> <li>• No Light</li> </ul>	ADU is functioning. ADU detects failure. ADU is calibrating.
<b>Registered:</b> <ul style="list-style-type: none"> <li>• Steady <b>Amber</b></li> <li>• Steady <b>Green</b></li> </ul>	Registration to network in progress. Registered to network.
<b>Data:</b> <ul style="list-style-type: none"> <li>• Steady <b>Green</b></li> <li>• No Light (OFF)</li> </ul>	In <b>Data</b> Mode, data connection is activated. In <b>Data</b> Mode, data connection is not activated. In <b>Voice</b> Mode, user can initiate a voice call using the Atlas IP Handset.


**Note:** \*\*Check with your service provider for a valid VoIP service subscription.

## • Use Handset (Optional)

### □ For Voice Call

1. On the Web Console, select **Settings > Admin > System Operation Mode**, click "Voice" and then select "Update Settings". Check the handset to ensure the voice icon  is ON.
2. On the Atlas IP handset, dial phone number in the format: **<00><Country Code><Telephone Number>** .
3. Disconnect the call by pressing the  key.

### □ For SMS Messaging


1. Select **Menu > Messaging > OK > New message > OK**.
2. Enter your text message using the keypad.
3. Select **OK > Send**. Check the handset to ensure the data icon  is ON.
4. Enter the destination mobile number format: **<00><Country Code><Telephone Number>** or Select **OK** to choose an existing contact and then select **OK** to send text message.

## • Activate Wi-Fi Setting using Web Console

1. Select **Settings > Wi-Fi**.
2. Select **Enable** and click **Update**. Update successfully completed.
3. Use a Wi-Fi Enabled device to search for Network Name (SSID): **atlas**.


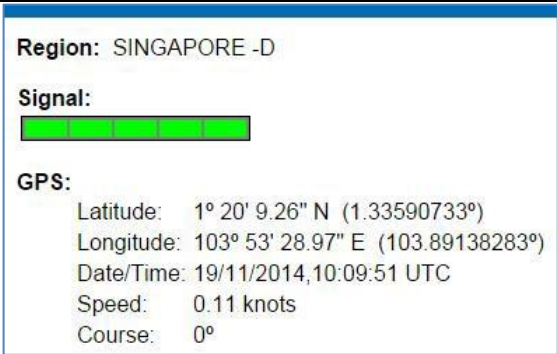
## • Activate VoIP Setting for Phone Call using Web Console

1. By default, VoIP is enabled. LED should be steady green in Data mode. Otherwise, select **DATA > Connection**, and then select **Activate Default Profile**.
2. Select **Settings > VoIP**.
3. Select **Enable** and click **Update**.


Check for the VoIP icon  is activated before making a call.

# QUICK START GUIDE

## Accessing Web Console

<p>1. Open the web browser. Type <a href="http://192.168.2.1">http://192.168.2.1</a> in the Address field.</p>	
<p>2. Type <b>admin</b> in Username field and <b>admin</b> in Password field. Click <b>Login</b>.</p>  <p>The terminal will register to the network, and achieve GPS acquisition and satellite region.</p> <p><b>Note:</b> The same password <b>admin</b> also applies for Factory Reset.</p>	<p>3.</p>  <p>The satellite signal bar and the details of the GPS will be displayed after successfully registered into the network.</p>


## Deactivating/Activating a Data Session with the Web Console

1. Select **Settings > Admin > System Operation Mode**, click **Data**, and then select **Update Settings**.
  2. On the Web Console, click **Data** , and then select **Connection**.
  3. Click **Activate Default Profile**. Standard data session is now active. You can now access the internet.
- Note:** To disconnect the Data session, click **Disconnect**.

## Tips and Troubleshooting

### Atlas IP Handset (Optional)

#### Unable to make outgoing call

- Ensure the terminal is set as **Voice** mode.
- Ensure the Voice icon  is highlighted on the handset.
- Ensure a correct number format is being dialled.
- Ensure BDU LED states show as below:  
Terminal: **Blinking Green**    Antenna: **Green**  
Registered: **Green**                      Data:    **OFF**


### Web Console

#### Unable to access Web Console

- Ensure that there is no issue with the Ethernet connection.
- Ensure that IP address is entered correctly.
- Refresh the browser after correcting the problem.

### Data Connection

#### Unable to activate Data session

- Ensure the terminal is set as **Data** mode.
  - Ensure a valid APN.
  - Ensure good satellite signal strength.
  - Ensure the Data icon  is highlighted.
  - Ensure a SIM card supports PS services.
  - Ensure a Prepaid Credit is not exhausted.
- Note:** PS – Packet Switch

#### Unable access internet after Data Session is activated.

- Ensure the proper PC/Laptop Ethernet settings.
- Ensure no firewall/proxy settings are preventing access to the BDU.
- Ensure that PC/Laptop is configured to obtain IP address automatically (DHCP).